

Turbine Series - 500FG

FUEL

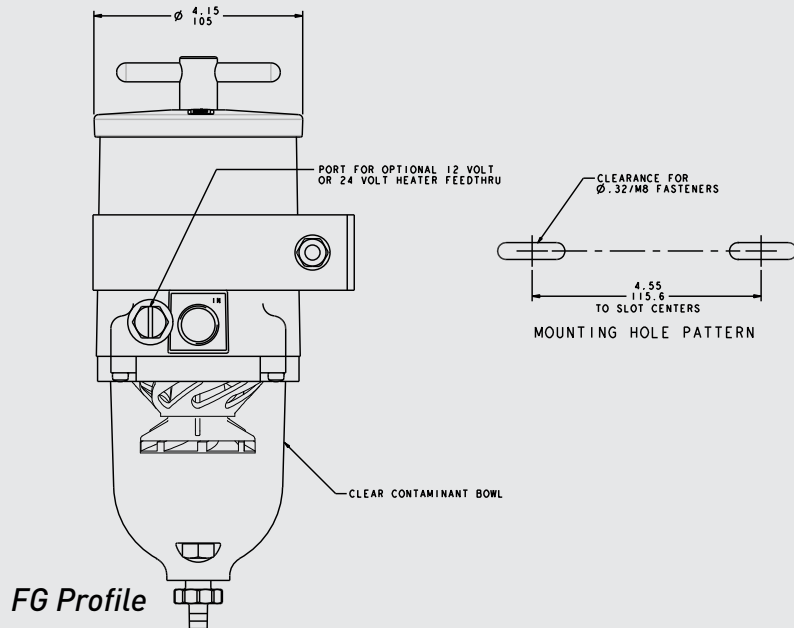
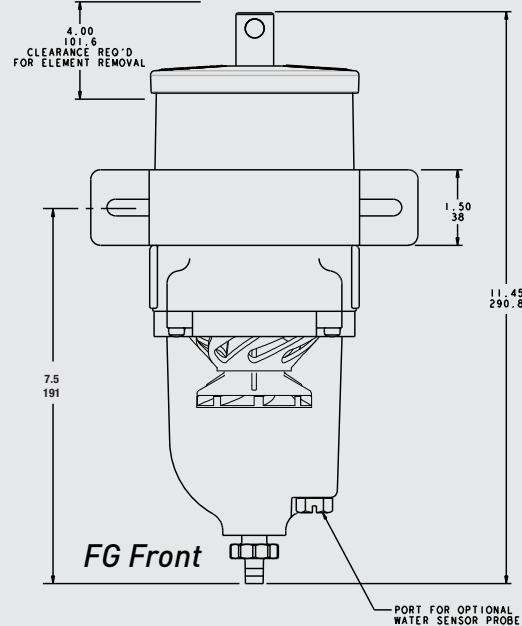
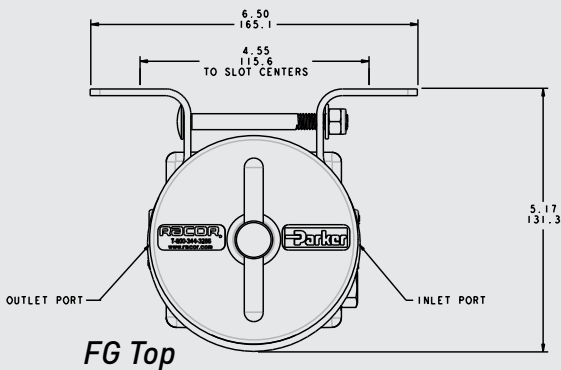
Specifications:

Height: 11.45" (29.08 cm)
Width: 4.15" (10.5 cm)
 with Bracket 6.5" (16.51 cm)
Depth: 4.15" (10.5 cm)
 with Bracket 5.17" (13.13 cm)
Weight: 4.0 lbs (1.8 kg)
Ports: 3/4"-16 UNF (SAE J1926)
Service Clearance (Top): 4.0" (10.16 cm)
Vacuum Installation Recommended
Maximum Pressure: 15 psi (1.03 bar)
Max Flow Rate: 60 gph (227 lph)

Create a Part Number

Housing Type	Heater Option	Filteration Rating
Turbine Model Standard 3/4"-16 Ports	12 VDC Heater (100 watt) 24 VDC Heater (100 watt)	2 micron 10 micron 30 micron
500FG	12 24	2 10 30

Dimensions:

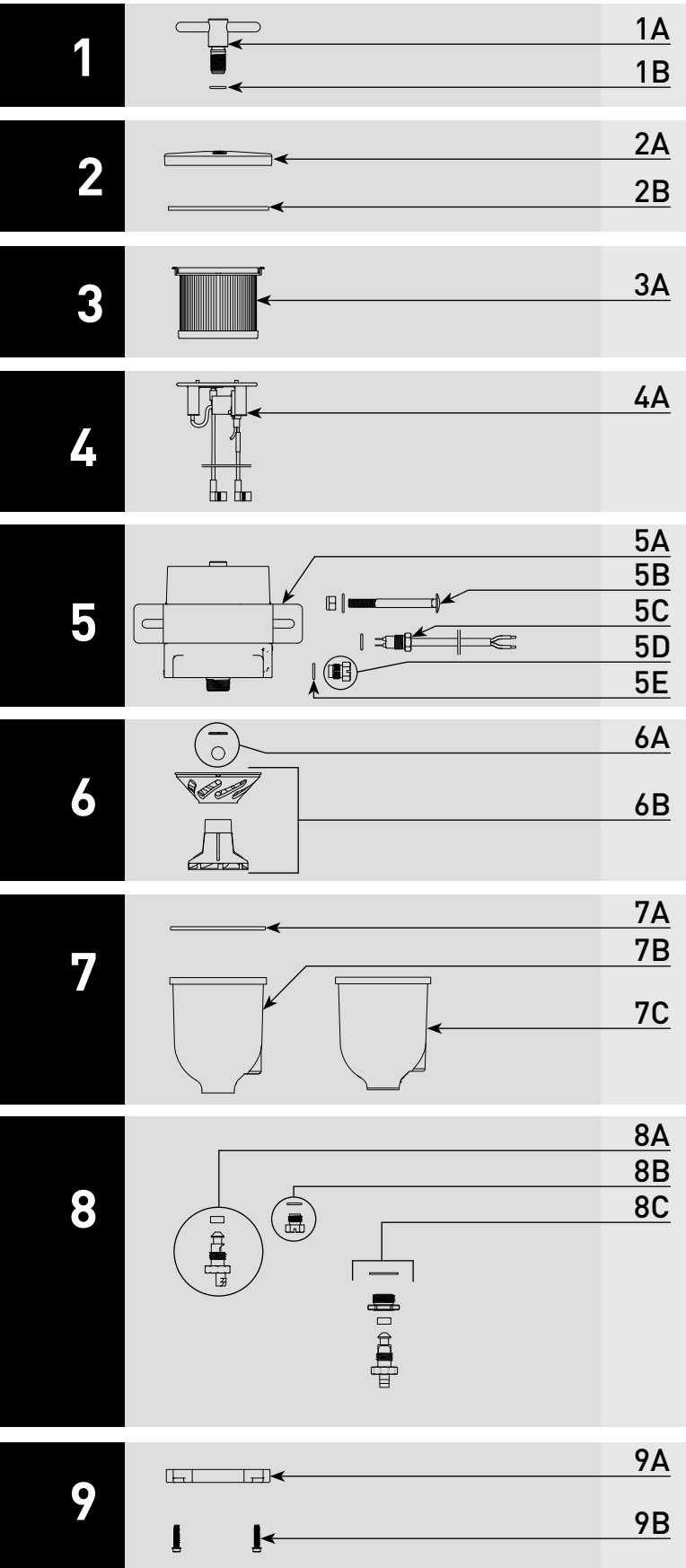


ASSEMBLY	DESCRIPTION
500FG2	500 Turbine Assy., 2 micron Filter
500FG10	500 Turbine Assy., 10 micron Filter
500FG30	500 Turbine Assy., 30 micron Filter
500FG122	500 Turbine Assy., 12VDC Heater, 2 micron Filter
500FG1210	500 Turbine Assy., 12VDC Heater, 10 micron Filter
500FG1230	500 Turbine Assy., 12VDC Heater, 30 micron Filter
500FG242	500 Turbine Assy., 24VDC Heater, 2 micron Filter
500FG2410	500 Turbine Assy., 24VDC Heater, 10 micron Filter
500FG2430	500 Turbine Assy., 24VDC Heater, 30 micron Filter



PARTS

Turbine - 500FG



Part #		Description
1A	RK23183	T-handle Kit - Includes 1B and 2B <i>Optional</i> - T-handle Vacuum Gauge Kit - For 500FG Assemblies Manufactured After 2002
	RK19671	
1B		T-handle O-ring
2A	RK 15078	500FG Lid Kit - Includes 1B and 2B
2B		Lid Gasket - Included in 10A
3A	2010SM-OR	Replacement Element 2 micron - Includes 1B and 2B
	2010TM-OR	Replacement Element 10 micron - Includes 1B and 2B
	2010PM-OR	Replacement Element 30 micron - Includes 1B and 2B
4A	RK15438-01	Heater Kit - 12 vdc, 100 watt - <i>Use with 10E</i>
	RK15438-02	Heater Kit - 24 vdc, 100 watt - <i>Use with 10E</i>
	RK15440-01	Heater Kit - 12 vdc, 100 watt - Includes 5C - <i>Use with 10E</i>
	RK15440-02	Heater Kit - 24 vdc, 100 watt - Includes 5C - <i>Use with 10E</i>
5A	RK15441-02	Clamp Bracket Kit - Includes (1) Bolt, (1) Washer, and (1) Nut
	RK 11838	Carriage Bolt Kit - Includes (2) Bolt, (2) Washer, and (2) Nut
5C	RK 21067	Heater Feed-thru Kit - Includes 5E
5D	RK 11-1679	Feed-thru Plug Kit - Includes 5E
5E		Feed-thru or Plug O-ring - Included in 10A
6A	RK 15010B	Checkball and Gasket Kit
6B	RK 15013D	Centrifuge and Baffle Kit - Includes 6A and 7A
7A	RK15374	Bowl Gasket - Included in 10A
7B	RK15405	Bowl Kit (2002 to Present) - Includes 7A, 8A and 8B **Bowl has 5/8"-11 drain port
7C	RK 15279-01	Bowl Kit (Before 2002) - Includes 7A and 8B **Bowl has 7/8"-14 drain port
8A		Self-venting Drain Kit (2002 to Present - <i>Use with 7B</i>)
8B	RK 20126	Bowl Plug Kit
8C	RK 30488	Self-venting Drain Kit (<i>Pre-2002 - Use with 7C</i>)
9A	RK 15035	Bowl Ring Kit (FG - Tan) - Includes 7A
9B	RK 15081	Bowl Fasteners (set of 4)

Accessories and Parts Available (Not Shown)

10A	RK 15211	Complete Seal Service Kit - 500 Series Filters
10B	RK33803	WIF Probe Kit - 1/2"-20 UNF (Requires 10D)
10C	RK30880E	WIF Sensor and Light Kit - 1/2"-20 UNF
10D	RK 14329	Water Detection Module - 12 vdc
	RK 14321	Water Detection Module - 24 vdc
10E	RK 11861	Heater Relay Kit - 12 vdc
	RK 11862	Heater Relay Kit - 24 vdc